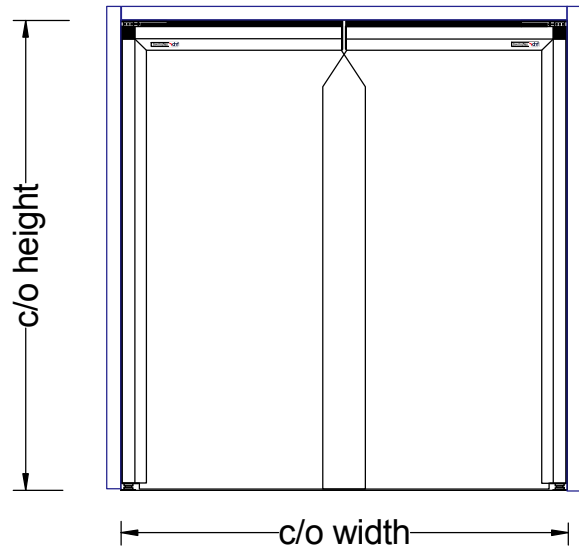
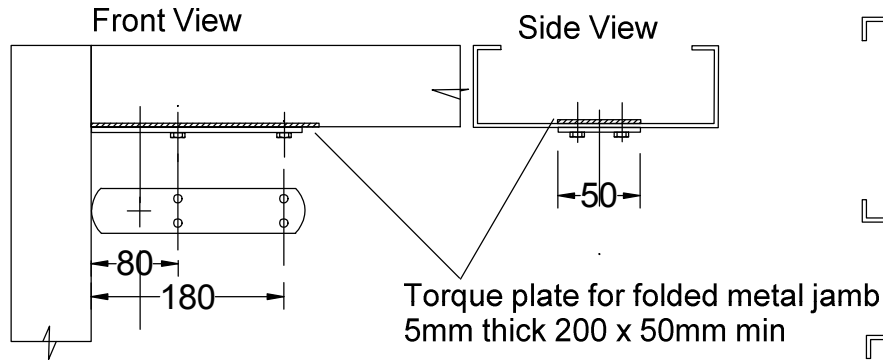
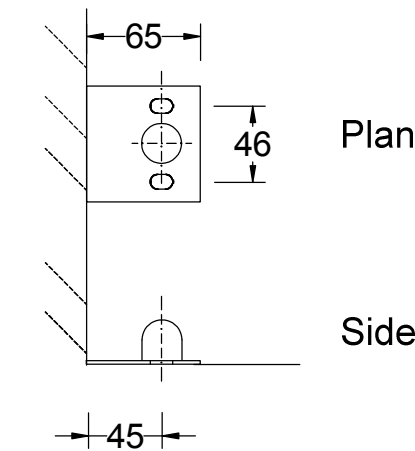
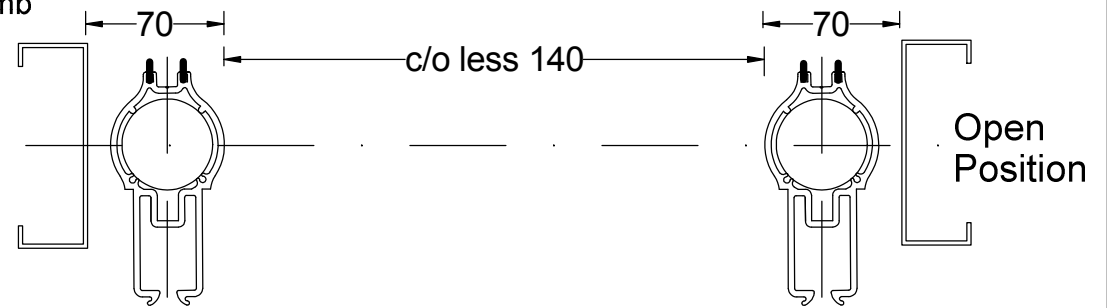
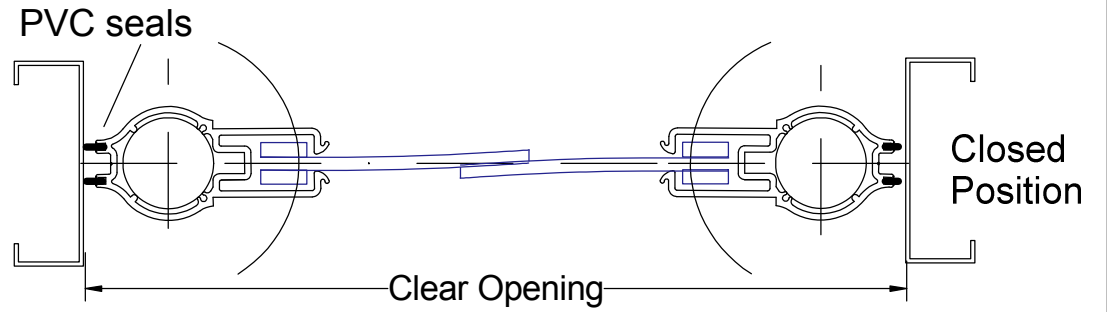


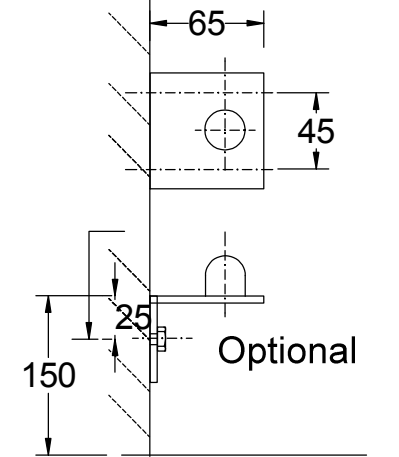
DOOR JAMBS AND HEAD BY OTHERS



- SPECIFICATION**  
 PVC is 5 or 7mm  
 Brush or PVC seals  
 Anodised aluminium stile and head  
 Adjustable torque spring  
 Floor mount  
 Door jambs by others



Jackplate floor mount



Jackplate Side mount

											Article No./Reference	
REV.No.	Revision Note.	Date.	Signature	Checked	Item ref.	Quantity	Material				Date.	Scale.
D						1 off					22nd June 2009	N/A
C					S Fell		Checked by.	Approved by--Date.	Filename			
B					Owner				Title/Name			
A									Swingflex Mk5 PVC doors			
O	Original Issue.	13/03/08	CSS						Drawing number	Edition	Sheet	
										O	1of1	

